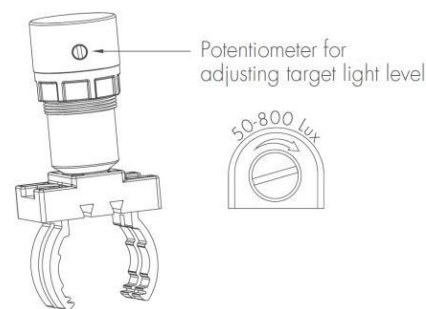
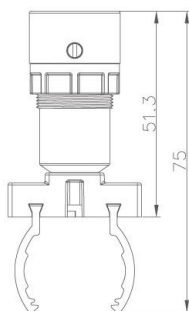


Mini daylight sensor 1-10 V DC

art. № MSO10

Description

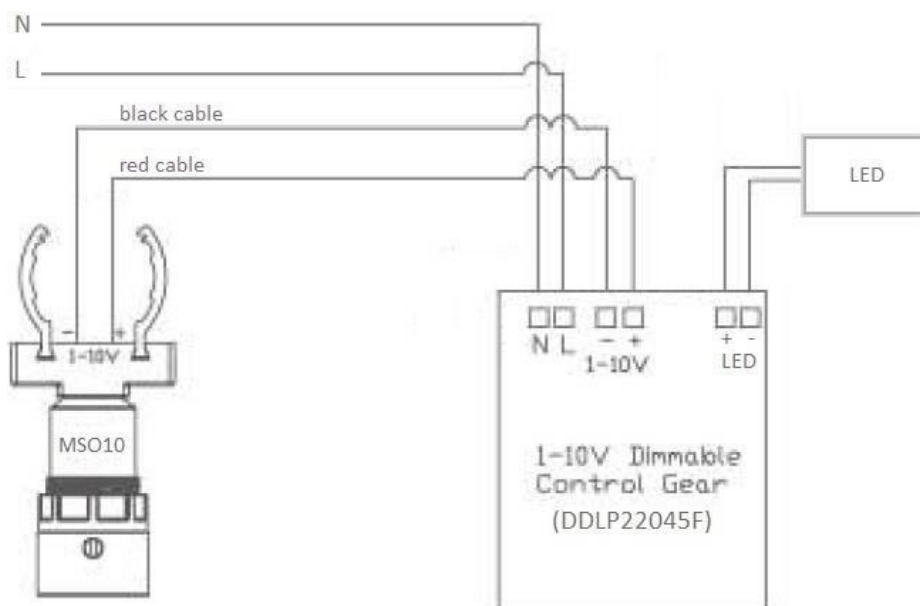
The mini daylight sensor measures the ambient light. It has a potentiometer that helps adjust the desired light level. This sensor compares measured light with the adjusted one. The result from that measurement is transformed in an electronic signal 1-10 V DC. This electronic signal controls a dimmable driver for LED lighting. As a result, the driver will increase or decrease the light from the lighting sources, in order to maintain the adjusted light level. The mini daylight sensor is used for lighting systems automatization. A high level of energy efficiency is achieved with this sensor.



Technical Specification

- Mains voltage: 1-10 V DC
- Operating temperature: -20 °C ÷ +60 °C
- Max. load of the control exit: 50 mA
- Index of protection: IP20
- Sensor angle: 90°
- Dimming range: 10%-100%
- Max. permitted cable length: 50 m
- Cable length: 80 cm

Connection-wire diagram



Certificates:

